



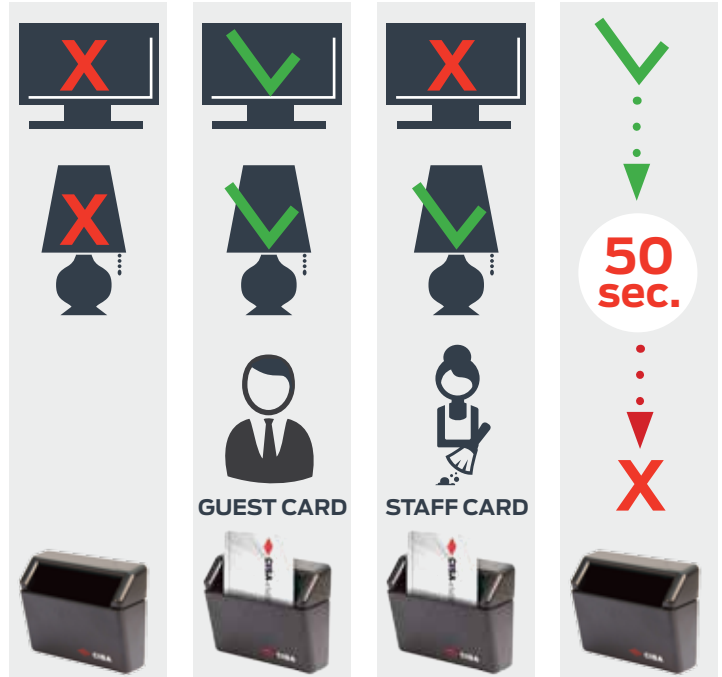
CISA

CISA eSIGNO

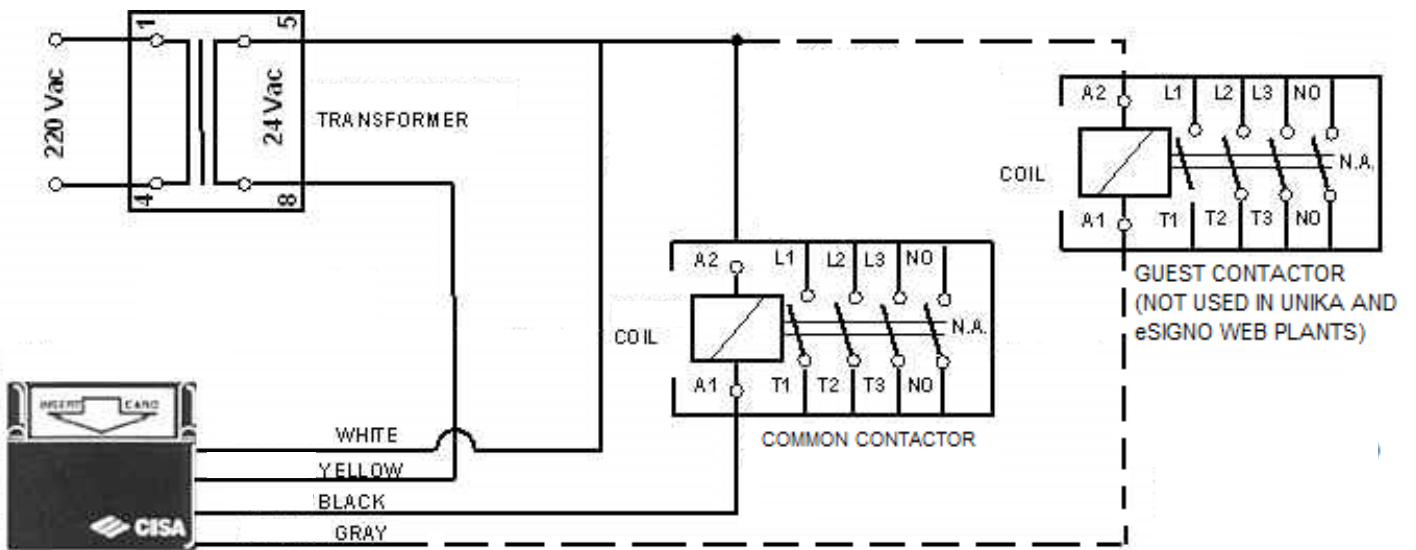
Energy Saver

BLACK (art. 1A0501.06.0)
WHITE (art.1A0501.06.0.45)

Technical Sheet



Installation



Wall Fixing

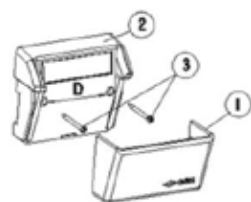
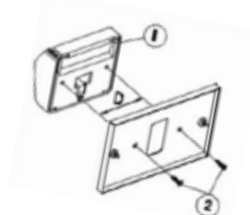


Plate Fixing



Technical features (Energy Saver art. 1A0501.06.0/45)

Intended use	Smart wall mounted socket to hold GUEST and STAFF cards and control room energy activation.
Form factor	Reader and battery holder integrated.
Credentials	Contactless RFID ISO 14443B/Mifare ISO 14443A. It works with CISA eSIGNO and CT2, CT3 and CT4, Mifare Classic (CT5 and CT6) and Mifare Ultralight contactless cards.
Card detection	Guest cards enable two outputs, which can operate two contactors (not included). Staff cards operate one contactor only. Possibility to manage one contactor only (activated by both card types). It intercepts and denies the operation of improper objects (generic cards or piece of paper).
Diversification	The energy saver can be associated to the plant ID to prevent use of the same card on a different installation.
Relay management	Possibility to configure relay output as normally live (by default they are normally not live).
Courtesy time	50 seconds after card extraction the relays are automatically deactivated.
Plastic	Available in black or white color.
Power supply	24 Vac \pm 10% @50 Hz
Max output voltage	24 Vac
Max power consumption	1 VA
Output power	2x 5 VA
Operating temperature	0-50°C
Relative humidity	0-90 %
Dimensions (LxHxD)	70x60x30 mm
Max card thickness	0,75 mm

Transformer (art. 07302.08.0)

Input/output	220 Vac / 12-24 Vac
Power	15 VA

For Omega e C type DIN 35 bar

Contactors (art. 07302.10.0)

Power supply	24 Vac @40/60 Hz
Contacts	3 NO, 1 NC
Contacts max power	20A AC1 - 2.2kW AC3

For Omega e C type DIN 35 bar

About Allegion

Allegion (NYSE_ALLE) creates peace of mind by pioneering safety and security. As a \$2 billion provider of security solutions for homes and businesses, Allegion employs more than 8,000 and sells products in more than 120 countries across the world. Allegion comprises 27 global brands, included strategic brand CISA®, Interflex® LCN®, Schlage® and Von Duprin®.

For more, visit allegion.com

 **BRICARD** ■  **Briton** ■  **CISA** ■  **interflex**

CISA S.p.A.
Via Oberdan, 42
48018 Faenza (RA) Italy
Tel. +39.0546.677111
Fax +39.0546.677150
cisa.vendite@allegion.com
cisa.com
cisahotels.com

@cisalocks

