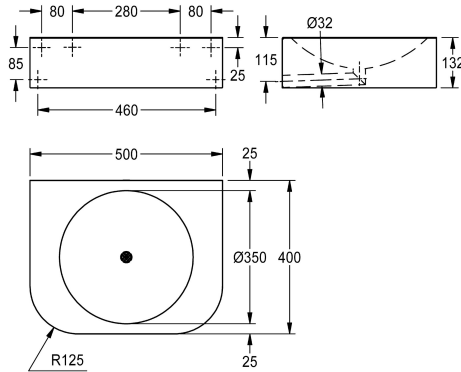


KWC ANIMA Single washbasin

Modell-Linie: ANIMA | ANMX502

Washbasins & Washtroughs | Wash basins



KWC-No.

2030029755

Dimensions 500 x 132 x 400 mm (W x H x D)

Single wash stand for wall-mounting, chrome-nickel steel, surface silk matt, material thickness 1.5 mm, barrier-free wash stand in acc. with SIA 500, seamlessly welded round basin, basin diameter of 350 mm, rectangular wash stand shape with front corners rounded, no bank of fittings, seamlessly integrated plug strainer and

drainpipe DN 32, siphon mounted under plaster, not included, integrated and reinforced assembly panel measuring 280 mm, includes stainless steel screws and rawl plugs.

Dimensions 500 x 132 x 400 mm (W x H x D)

Technical Data

type of basin	single / multiple pay water di
bowl - bowl height	83 mm
bowl shape	circle
bowl - width	350 mm
material	stainless steel
material code	1.4301 Chrome Nickel steel V2A
material thickness	1.5 mm
overall depth	400 mm
overall height	132 mm
overall width	500 mm
overflow	no
siphon included	no
type of mounting	wall mounting
waste hole position	centre
waste kit included	yes

