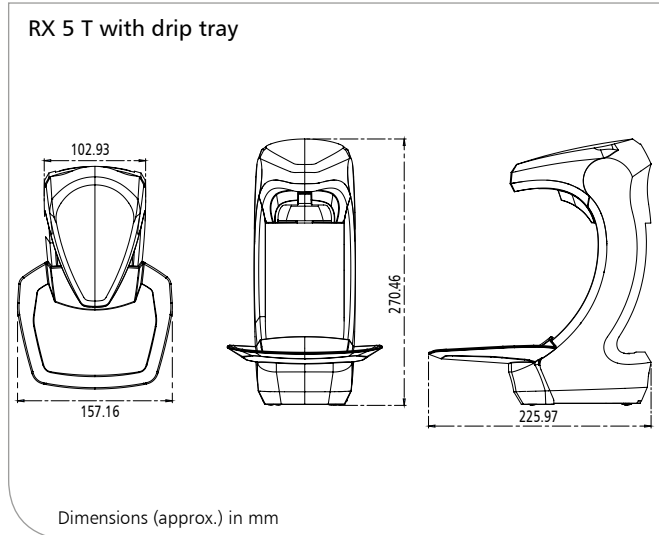


### RX 5 T with drip tray

Soap-/disinfectant dispenser for disposable bottles as well as refillable containers and hygiene package, touchless, with „Safety-Click“ drip tray, plastic, 500 ml, optional with back plate



#### Product characteristics

- ▶ Dispenser for liquid soaps and alcoholic hand disinfectants, alco-gel and flowable lotions
- ▶ For 500 ml disposable bottles as well as refillable containers and hygiene packages
- ▶ Number of strokes per activation adjustable (1 – 3x)
- ▶ Extensive battery life
- ▶ Hygienic glossy, easy-clean surface
- ▶ For wall mounting or free standing
- ▶ With drip tray
- ▶ Hygiene stand (Art. No. 1422671) for free installation e.g. in entrance areas optional available

#### Interesting information

References:

- ▶ Conference centres, exhibitions, airports, train stations, gastronomie, retirement/care homes, hospitals, laboratories, commercial kitchen, food processing, shopping centres, hotels, schools, kindergartens, sports centres, administration facilities

Application examples:

- ▶ Passage areas, entrance areas, washrooms, baths, care and examination rooms, kitchens

#### Technical data

Housing:	Plastic
Bottle:	Plastic
Dosing pumps:	DHP disposable hygiene pump (made with recyclable plastic) or with long-life plastic pump
Dispensing quantity:	1.0 ml/stroke or 1.5 ml/stroke (depending on version)
Batteries:	4 LR 14
Weight:	with batteries: 0.930 kg, without batteries: 0.653 kg
Back plate:	Plastic, lockable (only included with dispenser for wall mounting)
Mounting:	with 3 screws and wall plugs

Description for tender - see overleaf

RX 5 T with drip tray/0520/2.2

Subject to technical modifications.  
Tests are required before new filling materials are used!



OPHARDT HYGIENE-TECHNIK GmbH + Co. KG  
Lindenau 27 | 47661 Issum | Germany  
Tel.: +49 (0) 28 35 18-10 | Fax +49 (0) 28 35 18-77  
planer@ophardt.com | www.ophardt.com

# RX 5 T with drip tray

Soap-/disinfectant dispenser for disposable bottles as well as refillable containers and hygiene package, touchless, with "Safety-Click" drip tray, plastic, 500 ml, optional with back plate



## Description for tender

... Pcs. **RX 5 T DHP (Tabletop device with 1.5 ml/stroke) with white drip tray Art. No. 4402285** ... Pcs.

Soap-/disinfectant dispenser, suitable for alco-gel and flowable lotions, 500 ml, touchless operating, suitable for standard disposable bottles, refillable containers and hygiene packages, (conforming with the latest hygiene regulations and standards), housing made of robust plastic, white, free standing tabletop device, incl. 4 Alkaline "type C" batteries, easy replacement of disposable hygiene pump through front removal, with "Safety-Click" drip tray, dosage 1.5 ml, number of strokes per activation adjustable (1 – 3x) Dimensions (W x H x D) 157 x 270 x 226 mm

... Pcs. **RX 5 T (Tabletop device with 1.5 ml/stroke) with white drip tray Art. No. 4402236** ... Pcs.

Soap-/disinfectant dispenser, suitable for alco-gel and flowable lotions, 500 ml, touchless operating, suitable for standard disposable bottles, refillable containers and hygiene packages, (conforming with the latest hygiene regulations and standards), housing made of robust plastic, white, free standing tabletop device, incl. empty bottle and 4 Alkaline "type C" batteries, easy replacement of long-life plastic pump through front removal, with "Safety-Click" drip tray, dosage 1.5 ml, number of strokes per activation adjustable (1 – 3x) Dimensions (W x H x D) 157 x 270 x 226 mm

... Pcs. **RX 5 T DHP (Tabletop device with 1.0 ml/stroke) with white drip tray Art. No. 4402289** ... Pcs.

Soap-/disinfectant dispenser, suitable for alco-gel and flowable lotions, 500 ml, touchless operating, suitable for standard disposable bottles, refillable containers and hygiene packages, (conforming with the latest hygiene regulations and standards), housing made of robust plastic, white, free standing tabletop device, incl. 4 Alkaline "type C" batteries, easy replacement of disposable hygiene pump through front removal, with "Safety-Click" drip tray, dosage 1.0 ml, number of strokes per activation adjustable (1 – 3x) Dimensions (W x H x D) 157 x 270 x 226 mm

... Pcs. **RX 5 T (Tabletop device with 1.0 ml/stroke) with white drip tray Art. No. 4402232** ... Pcs.

Soap-/disinfectant dispenser, suitable for alco-gel and flowable lotions, 500 ml, touchless operating, suitable for standard disposable bottles, refillable containers and hygiene packages, (conforming with the latest hygiene regulations and standards), housing made of robust plastic, white, free standing tabletop device, incl. empty bottle and 4 Alkaline "type C" batteries, easy replacement of long-life plastic pump through front removal, with "Safety-Click" drip tray, dosage 1.0 ml, number of strokes per activation adjustable (1 – 3x) Dimensions (W x H x D) 157 x 270 x 226 mm

**RX 5 T DHP (for wall mounting with 1.5 ml/stroke) with white drip tray Art. No. 4402283**

Soap-/disinfectant dispenser, suitable for alco-gel and flowable lotions, 500 ml, touchless operating, suitable for standard disposable bottles, refillable containers and hygiene packages, (conforming with the latest hygiene regulations and standards), housing made of robust plastic, white, back plate with lockable adapter, incl. 4 Alkaline "type C" batteries, easy replacement of disposable hygiene pump through front removal, with "Safety-Click" drip tray, dosage 1.5 ml, number of strokes per activation adjustable (1 – 3x) Dimensions (W x H x D) 157 x 270 x 242 mm

**RX 5 T (for wall mounting with 1.5 ml/stroke) with white drip tray Art. No. 4402237**

Soap-/disinfectant dispenser, suitable for alco-gel and flowable lotions, 500 ml, touchless operating, suitable for standard disposable bottles, refillable containers and hygiene packages, (conforming with the latest hygiene regulations and standards), housing made of robust plastic, white, back plate with lockable adapter, incl. empty bottle and 4 Alkaline "type C" batteries, easy replacement of long-life plastic pump through front removal, with "Safety-Click" drip tray, dosage 1.5 ml, number of strokes per activation adjustable (1 – 3x) Dimensions (W x H x D) 157 x 270 x 242 mm

**RX 5 T DHP (for wall mounting with 1.0 ml/stroke) with white drip tray Art. No. 4402287**

Soap-/disinfectant dispenser, suitable for alco-gel and flowable lotions, 500 ml, touchless operating, suitable for standard disposable bottles, refillable containers and hygiene packages, (conforming with the latest hygiene regulations and standards), housing made of robust plastic, white, back plate with lockable adapter, incl. 4 Alkaline "type C" batteries, easy replacement of disposable hygiene pump through front removal, with "Safety-Click" drip tray, dosage 1.0 ml, number of strokes per activation adjustable (1 – 3x) Dimensions (W x H x D) 157 x 270 x 242 mm

**RX 5 T (for wall mounting with 1.0 ml/stroke) with white drip tray Art. No. 4402235**

Soap-/disinfectant dispenser, suitable for alco-gel and flowable lotions, 500 ml, touchless operating, suitable for standard disposable bottles, refillable containers and hygiene packages, (conforming with the latest hygiene regulations and standards), housing made of robust plastic, white, back plate with lockable adapter, incl. empty bottle and 4 Alkaline "type C" batteries, easy replacement of long-life plastic pump through front removal, with "Safety-Click" drip tray, dosage 1.0 ml, number of strokes per activation adjustable (1 – 3x) Dimensions (W x H x D) 157 x 270 x 242 mm

Product:  
Manufacturer:

**RX**  
OPHARDT HYGIENE-TECHNIK GmbH + Co. KG