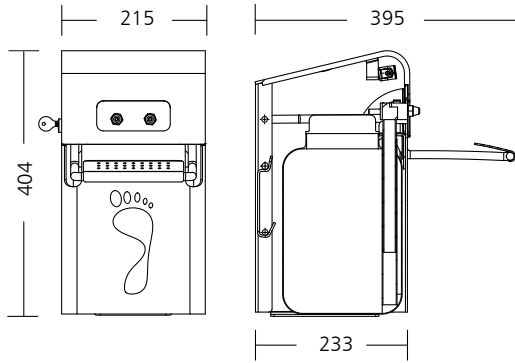


ingo-ped® 3

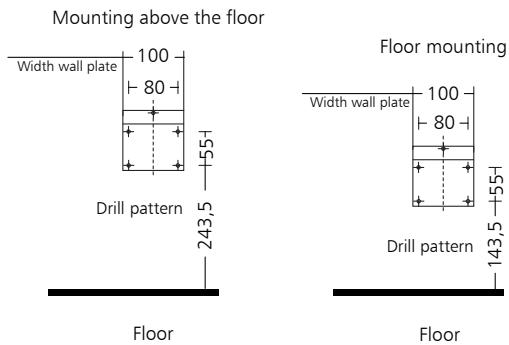
dispenser used for foot disinfection, lockable,
for wall mounting, aluminium, 7.5 liter, refillable container



ingo-ped® 3



Recommended mounting



Dimensions (approx.) in mm

Product characteristics

- ▶ Dispenser used for foot disinfectant using alcohol-based spray
- ▶ With 7.5 liter refillable container
- ▶ Suitable for refilling from large containers, free choice of filling material
- ▶ Mechanical operation
- ▶ Lockable
- ▶ For wall mounting
- ▶ Incl. kit for four-point wall mounting

Interesting information

- References: ▶ Sport and sauna facilities
- Application examples:
- ▶ Ideal for high-traffic public areas like swimming pools, sport- and sauna facilities, etc.

Technical data

- Upper part: Aluminium, anodized matt black
- Lower part: Aluminium, silver anodized
- Dosing pump: Stainless steel with 2 spraying nozzles
- Dispensing: ca. 3 ml/stroke
- Foot pedal: Stainless steel bracket with stainless steel tread plate
- Container: PE-Plastic, 7.5 liter
- Wall mounting: Wall mounting with 4 screws and wall plugs

Description for tender - see overleaf

ingo-ped 3_EN/0320/1.2



Subject to technical modifications.
Tests are required before new filling materials are used!



Ophardt Hygiene-Technik GmbH + Co. KG

Lindenau 27 | 47661 Issum | Germany
Tel.: +49 (0) 28 35 18-10 | Fax +49 (0) 28 35 18-77
planer@ophardt.com | www.ophardt.com

ingo-ped® 3

dispenser used for foot disinfection, lockable,
for wall mounting, aluminium, 7.5 liter, refillable container

Description for tender

... Pcs. **ingo-ped® 3** **Art. No. 2400290**
Dispenser used for foot disinfectant using
alcohol-based spray,
7.5 liter refillable container,
large, robust foot pedal made from stainless steel,
upper part made of black anodized
aluminium, lower part made of matt silver
anodized aluminium, stainless steel pump with 2
spraying nozzles, for wall mounting, lockable,
Dimensions: W 215 x H 394 x D 395 mm

Product: **ingo-man®**
Manufacturer: OPHARDT HYGIENE-TECHNIK GmbH + Co. KG